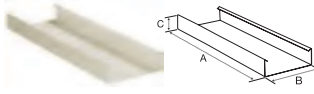


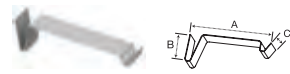





HBL6750 Series	Description	Color	Catalog Number	Description	Color	Catalog Number
	<p>Single Channel Base Packed 20 ft. (6.1m) per carton, 10 ft. (3m) lengths. Assembled cover and base dimensions. W: 6.75" (171.45) H: 2.22" (56.39)</p> 	Ivory Gray	HBL6750B10IV HBL6750B10GY A: 120.00" (3048.00) B: 6.75" (171.45) C: 2.12" (53.85)	<p>5 Ft. Cover Packed 20 ft. (6.1m) per carton, 5 ft. (1.5m) lengths. 31.5 In. Precut Cover* For 36 in. (915.00) centers with HBL6747 and HBL6750 Plates. 19.5 In. Precut Cover* For 24 in. (610.00) centers with HBL6747 and HBL6750 Plates. 13.5 In. Precut Cover* For 18 in. (457.00) centers with HBL6747 and HBL6750 Plates. 7.5 In. Precut Cover* For 12 in. (305.00) centers with HBL6747 and HBL6750 Plates.</p> 	Ivory Gray	HBL6750CIV HBL6750CGY A: 60.00" (1,524.0) B: 6.75" (171.45) HBL6750C315IV HBL6750C315GY A: 31.50" (800.10) B: 6.75" (171.45) HBL6750C195IV HBL6750C195GY A: 19.50" (495.30) B: 6.75" (171.45) HBL6750C135IV HBL6750C135GY A: 13.50" (342.90) B: 6.75" (171.45) HBL6750C075IV HBL6750C075GY A: 7.50" (190.50) B: 6.75" (171.45)

Note: *Packed 10 pieces per carton. Device centers vary based on cover selection. Consult factory for details.

Fittings	Description	Color	Catalog Number	Description	Color	Catalog Number
	<p>Divider Divides HBL6750 Raceway into two or three channels. Packed 50 ft. (15.24m) per carton, 5 ft. (1.5m) lengths. HBL6751DAGY Divider Clips are required to hold divider in place.</p> 	Painted Steel	HBL6750DAGY A: 60.00" (1524.00) B: 2.03" (51.56)	<p>Wire Clip (Plated) For holding conductors in place.</p> 	Steel**	HBL6750WCGY A: 6.61" (167.80) B: 2.09" (53.05)
	<p>Divider Clip (Plated) Required for holding HBL6750DAGY in place. Use one every 2.5 ft. (.762m).</p> 	Steel**	HBL6751DAGY A: 6.60" (167.67) B: 1.97" (50.10)	<p>Coupling (Plated) For joining lengths of HBL6750 Raceway. Sold in pairs.</p> 	Steel**	HBL6751A A: 2.00" (50.71) B: .42" (10.59)
	<p>Internal Corner Coupling (Plated) Concealed fitting for making an internal corner while continuing original run in a straight line.</p> 	Steel**	HBL6717TCAGY A: 6.56" (166.62) B: 1.94" (49.28)			

Note: **Galvanized Steel.